



Palazzoli
GROUP



XCEE

HIGH PERFORMANCE IEC 60309
INDUSTRIAL CONNECTIONS

CONTINUOUS EVOLUTION THROUGH INNOVATION IN IEC 60309 CONNECTIONS

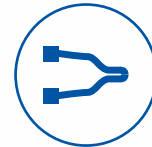


ERGONOMIC COMFORTABLE GRIP FOR EFFORTLESS CONNECTION

The comfortable grip offers easy and safe handling in all conditions, including the use of gloves. The rubber, anti-slip coating on the safety ring enhances the grip, facilitating the switch operation even in the presence of oil. The smooth shape of the handle prevents fluid stagnation.

RESISTANCE TO ABNORMAL HEAT AND FIRE

X-CEE connections have been subjected to the Glow Wire Test as per IEC/EN 60695-2-10 and qualify for a high resistance to abnormal heat and fire with a rating of **960°C for contact holders** and **850°C for housings**.

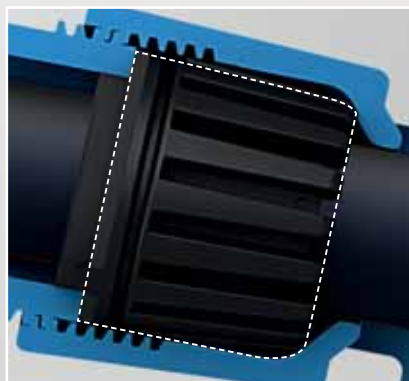


Glow Wire Test
960°C



SMART CABLE GLAND WITH REINFORCED TIGHTENING

The simplicity of the smart cable gland makes X-CEE suitable for any type of cable, with a versatility that is unique in the market. The gland can be easily closed and tightened using a spanner or a screwdriver. X-CEE can also be suspended by hooking from the slot in the cable gland.



STRAIN RELIEF SMART CABLE GLAND

Designed for ease of use and optimum safety, each product features a wide cable entry and a strain relief, smart cable gland for easy insertion of cables; suitable for any type of cable.



1/4 TURN CLOSING WITH SAFETY LOCK

1/4 turn closing on the plug and mounting flanges with a safety lock ensures stronger, reliable connections.



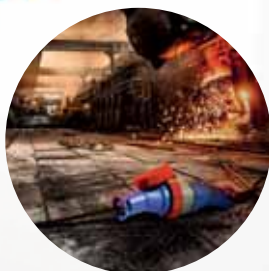
Ingress protection
IP66/67/68/69



Impact resistance
IK10

IP66/ IP67/ IP68/ IP69 INGRESS PROTECTION AND IK10 IMPACT RATING

The high ingress protection rating makes X-CEE totally protected against ingress of dust as well as effects of high temperature and high pressure jets. Also, a high IK10 resistance to impact makes these connections suitable for use in the harshest of environments.



ENHANCED CHEMICAL RESISTANCE TO CORROSION

The nickel-plated pins and receptacles offer enhanced corrosion resistance. Also, the reinforced Techno polymer material of the X-CEE range offers a high level of protection against the erosive and ageing action of chemicals or atmospheric agents such as salinity, oils, gases and U.V. rays, etc.



MULTIPLE CONFIGURATIONS FOR INSTALLATIONS THROUGH SYNERGY WITH THE PALAZZOLI TAIS GRP RANGE

The embedded design flexibility allows multiple combinations obtaining any solution by simply selecting the individual components (inlets, sockets with flanges, back boxes or handles).



HEAVY DUTY TERMINALS FOR IMPROVED CONDUCTIVITY AND RESISTANCE TO VIBRATIONS

Heavy duty terminals with cage clamp design are standard throughout the range. This guarantees the cable integrity, ensuring good electrical conductivity and also avoid heating and damage to the cable.



AC-23A SWITCH DISCONNECTOR WITH INDEPENDENT CONTACTS SNAP OPERATION

All sockets are AC-23A certified for use with highly inductive loads. Designed for optimum safety, the built-in Rotor switch inhibits access to live parts when not connected and prevents electric arcing and unwanted disconnection.

X-CEE - The perfect solution for Energy and Safety everywhere!

Camps, building sites, entertainment,
exhibition centers, public spaces, quarries,
mines, agricultural, caravan, leisure,
commercial ports, shipyards,
oil rigs and wells, electrical panels,
distribution, control panels, etc.



INDEX

STANDARD CONNECTIONS

• Plugs	7
• Couplers	8
• 65° Angled wall-mounted sockets	9
• 65° Angled wall-mounted inlets	10
• Straight panel mounted inlets	11
• 20° Angled panel mounted inlets	12
• Straight panel mounted sockets	13
• 20° Angled panel mounted sockets	14

ROTOR

• Rotor couplers	19
• 65° Angled wall mounted rotor sockets	20
• Straight panel mounted rotor sockets	21
• 20° Angled panel mounted rotor sockets	22

MODULAR OPTIONS

• Inlets	26
• Sockets	27
• Rotor sockets	28
• Handles	29
• Straight panel mounted flanges	29
• 20° Angled panel mounted flanges	29
• 65° Angled wall mounted boxes modular with TAIS system	29
• Wall-mounted single gang boxes modular with TAIS system	30
• Wall-mounted double gang boxes modular with TAIS system	30
• Boxes in Thermosetting GRP with blind cover	30
• Boxes in Thermosetting GRP with transparent cover	30
• Mounting Plates in Thermosetting GRP	31
• Blind flanges for wall-mounted boxes	31
• Fittings for rapid coupling in technopolymer	31
• Adaptors from Pg hole to metric hole	31
• Padlock for rotor sockets	31

X-CEE Series



Conformity to standards	IEC/EN 60309-1 IEC/EN 60309-2
Body material	Reinforced technopolymer
Protection rating (IP as per IEC/EN 60529)	IP66/IP67/IP68/IP69
Colour	RAL 7046 grey, RAL 5015 blue
Pin and receptacle material	Full nickel-plated brass
Resistance to abnormal heat and fire«Glow wire» as per IEC/EN 60695-2-10)	960°C (contact holders) 850°C (housings)
Self-extinguishing grade (as per UL94)	V0 (contact holders) V2 (housings)
Resistance to impacts (IK rating as per IEC/EN 62262)	IK10
Resistance to crushing	> 500Kg
Rated voltage	50V ÷ 690V (1000V on request)
Rated frequency	50Hz ÷ 500Hz and DC
Rated insulation voltage	690V
Pilot contact	63A and 125A plugs and sockets
Storage temperature	-50°C ÷ +90°C
Operating temperature	-40°C ÷ +60°C



ERGONOMIC COMFORTABLE GRIP FOR EFFORTLESS CONNECTION

The comfortable grip offers easy and safe handling in all conditions, including the use of gloves. The rubber anti-slip coating on the safety ring enhances the grip, facilitating the switch operation even in the presence of oil. The smooth shape of the handle prevents fluid stagnation.



SMART CABLE GLAND WITH REINFORCED TIGHTENING

The simplicity of the smart cable gland makes X-CEE suitable for any type of cable, with a versatility that is unique in the market. The gland can be easily closed and tightened using a spanner or a screwdriver. X-CEE can also be suspended by hooking from the slot in the cable gland.



MULTIPLE CONFIGURATIONS FOR INSTALLATIONS THROUGH SYNERGY WITH THE PALAZZOLI TAIS GRP RANGE

The embedded design flexibility allows multiple combinations obtaining any solution by simply selecting the individual components (inlets, sockets with flanges, back boxes or handles).



HEAVY DUTY TERMINALS FOR IMPROVED CONDUCTIVITY AND RESISTANCE TO VIBRATIONS

Heavy duty terminals with cage clamp design are standard throughout the range. This guarantees the cable integrity, ensuring good electrical conductivity and also avoid heating and damage to the cable.



Plugs

50/60 Hz - IP66/IP67/IP68/IP69

Rated current A	Rated voltage V	2P+E		3P+E		4P+E	
		Part number	h. ref.	Part number	h. ref.	Part number	h. ref.
16	● 110	760124	4	760134	4	760144	4
	● 230	760126	6	760139	9	760149	9
	● 400	760129	9	760136	6	760146	6
	● 500	-	-	760137	7	760147	7
32	● 110	760224	4	760234	4	760244	4
	● 230	760226	6	760239	9	760249	9
	● 400	760229	9	760236	6	760246	6
	● 500	-	-	760237	7	760247	7
	● 380-440	-	-	760233	3	-	-
63	● 110	760324	4	760334	4	760344	4
	● 230	760326	6	760339	9	760349	9
	● 400	760329	9	760336	6	760346	6
	● 500	-	-	760337	7	760347	7
125	● 110	-	-	760434	4	760444	4
	● 230	760426	6	760439	9	760449	9
	● 400	-	-	760436	6	760446	6
	● 500	-	-	760437	7	760447	7

Features: The plugs are designed to allow for padlocking, either in a stand-alone fashion or connected to sockets. The padlock must have a maximum shackle diameter of 10.5mm, a height of 32mm and a max. wire diameter of 3.5mm

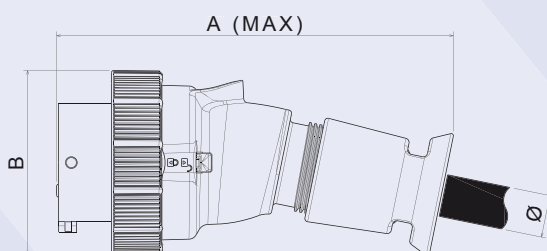


Caps for IEC EN 60309-2 Industrial plugs - IP67

Ensures the IP67 protection rating when the plug is not in use.

Rated current A	2P+E	3P+E	3P+N+E
	Part number	Part number	Part number
16	476903	476913	476923
32	476905	476905	476925
63	476907	476907	476907
125	476909	476909	476909

DIMENSIONAL DRAWING



Rated current A	N. Poles	A (mm)	B (mm)	Ø (mm)
16	2P+±	167	72	6.3÷18
	3P+±	173.5	80	
	3P+N+±	187.5	87	
32	2P+±	194	93	11÷23
	3P+±			
	3P+N+±			
63	2P+±, 3P+±, 3P+N+±	252	112	14.5÷37
125	2P+±, 3P+±, 3P+N+±	312	126	25÷50

Modular options and accessories are also available on pages 29-33.



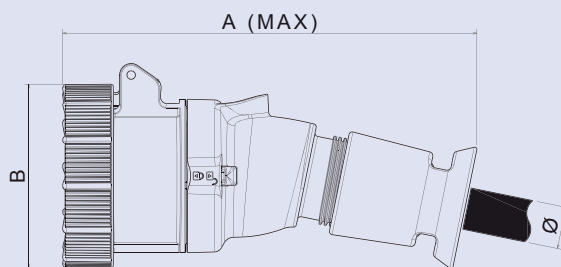
Couplers

50/60 Hz - IP66/IP67/IP68/IP69

Rated current A	Rated voltage V	2P+E		3P+E		4P+E	
		Part number	h. ref.	Part number	h. ref.	Part number	h. ref.
16	● 110	770124	4	770134	4	770144	4
	● 230	770126	6	770139	9	770149	9
	● 400	770129	9	770136	6	770146	6
	● 500	-	-	770137	7	770147	7
32	● 110	770224	4	770234	4	770244	4
	● 230	770226	6	770239	9	770249	9
	● 400	770229	9	770236	6	770246	6
	● 500	-	-	770237	7	770247	7
	● 380-440	-	-	770233	3	-	-
63	● 110	770324	4	770334	4	770344	4
	● 230	770326	6	770339	9	770349	9
	● 400	770329	9	770336	6	770346	6
	● 500	-	-	770337	7	770347	7
125	● 110	-	-	770434	4	770444	4
	● 230	770426	6	770439	9	770449	9
	● 400	-	-	770436	6	770446	6
	● 500	-	-	770437	7	770447	7

Features: The sockets are designed to allow for padlocking, either in a stand-alone fashion or connected to plugs.
The padlock must have a maximum shackle diameter of 10.5mm, a height of 32mm and a max. wire diameter of 3.5mm.

DIMENSIONAL DRAWING



Rated current A	N. Poles	A (mm)	B (mm)	Ø (mm)
16	2P+⚡	176	72	6.3÷18
	3P+⚡	183	80	
	3P+N+⚡	197	87	
32	2P+⚡	207	93	11÷23
	3P+⚡			
	3P+N+⚡			
63	2P+⚡, 3P+⚡, 3P+N+⚡	272	109	14.5÷37
125	2P+⚡, 3P+⚡, 3P+N+⚡	336	124	25÷50

Modular options and accessories are also available on pages 29-33



65° Angled wall - mounted sockets

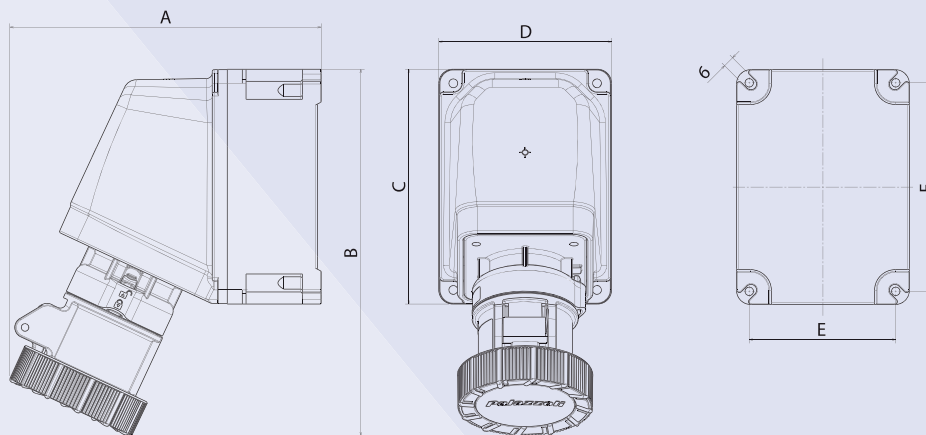
50/60 Hz - IP66/IP67/IP68/IP69

Rated current A	Rated voltage V	2P+E		3P+E		4P+E	
		Part number	h. ref.	Part number	h. ref.	Part number	h. ref.
16	● 110	776124	4	776134	4	776144	4
	● 230	776126	6	776139	9	776149	9
	● 400	776129	9	776136	6	776146	6
	● 500	-	-	776137	7	776147	7
32	● 110	776224	4	776234	4	776244	4
	● 230	776226	6	776239	9	776249	9
	● 400	776229	9	776236	6	776246	6
	● 500	-	-	776237	7	776247	7
	● 380-440	-	-	776233	3	-	-
63	● 110	776324	4	776334	4	776344	4
	● 230	776326	6	776339	9	776349	9
	● 400	776329	9	776336	6	776346	6
	● 500	-	-	776337	7	776347	7
125	● 110	-	-	776434	4	776444	4
	● 230	776426	6	776439	9	776449	9
	● 400	-	-	776436	6	776446	6
	● 500	-	-	776437	7	776447	7

Features: The sockets are designed to allow for padlocking, either in a stand-alone fashion or connected to plugs.

The padlock must have a maximum shackle diameter of 10.5mm, a height of 32mm and a max. wire diameter of 3.5mm.

DIMENSIONAL DRAWING



Rated current A	N. Poles	A (mm)	B (mm)	C (mm)	D (mm)	E (mm)	F (mm)
16	2P++	166	196	125	92	78	111
	3P++	170	198				
	3P+N++	173	200				
32	2P++	180	210	185	125	111	171
	3P++						
	3P+N++	225	257				
63	2P++, 3P++, 3P+N++	246	297				
125	2P++, 3P++, 3P+N++	234	307				

Modular options and accessories are also available on pages 29-33.



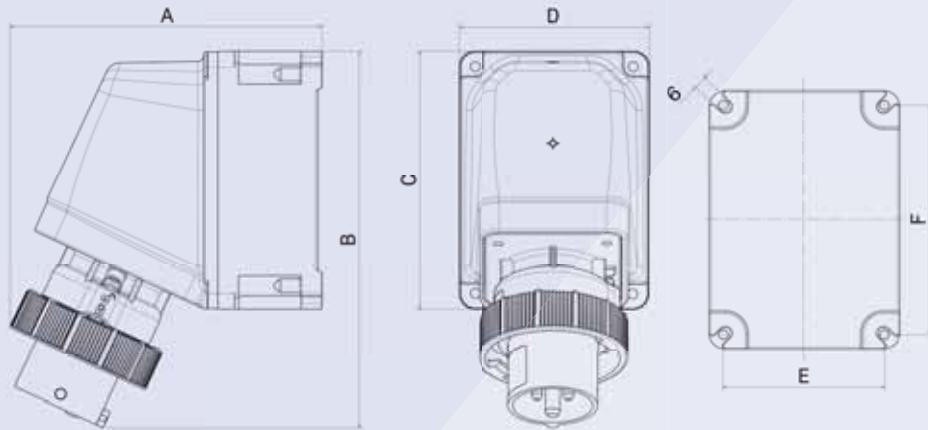
65° Angled wall - mounted inlets

50/60 Hz - IP66/IP67/IP68/IP69

Rated current A	Rated voltage V	2P+E		3P+E		4P+E	
		Part number	h. ref.	Part number	h. ref.	Part number	h. ref.
16	● 110	766124	4	-	-	-	-
	● 230	766126	6	-	-	-	-
	● 400	-	-	766136	6	766146	6
32	● 110	766224	4	-	-	-	-
	● 230	766226	6	-	-	-	-
	● 400	-	-	766236	6	766246	6
63	● 400	-	-	766336	6	766346	6
125	● 400	-	-	766436	6	766446	6

Features: The plugs are designed to allow for padlocking, either in a stand-alone fashion or connected to sockets. The padlock must have a maximum shackle diameter of 10.5mm, a height of 32mm and a max. wire diameter of 3.5mm.

DIMENSIONAL DRAWING



Rated current A	N. Poles	A (mm)	B (mm)	C (mm)	D (mm)	E (mm)	F (mm)
16	2P+±	152	183	125	92	78	111
	3P+±	156	185				
	3P+N+±	160	189				
32	2P+±	163	195	185	125	111	171
	3P+±						
	3P+N+±	207	239				
63	2P+±, 3P+±, 3P+N+±	219	272	185	125	111	171
125	2P+±, 3P+±, 3P+N+±	222	283				

Modular options and accessories are also available on pages 29-33



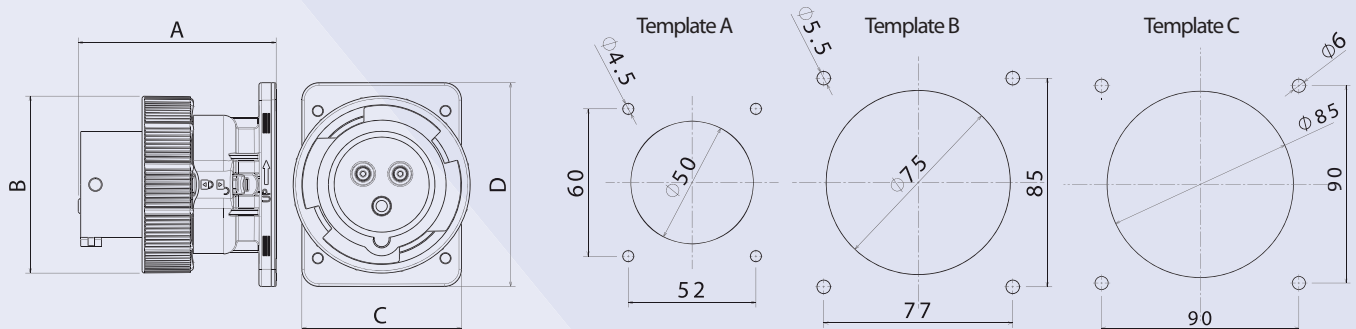
Straight panel - mounted inlets

50/60 Hz - IP66/IP67/IP68/IP69

Rated current A	Rated voltage V	2P+E		3P+E		4P+E	
		Part number	h. ref.	Part number	h. ref.	Part number	h. ref.
16	● 110	762124	4	-	-	-	-
	● 230	762126	6	-	-	-	-
	● 400	-	-	762136	6	762146	6
32	● 110	762224	4	-	-	-	-
	● 230	762226	6	-	-	-	-
	● 400	-	-	762236	6	762246	6
63	● 400	-	-	762336	6	762346	6
125	● 400	-	-	762436	6	762446	6

Features: The plugs are designed to allow for padlocking, either in a stand-alone fashion or connected to sockets. The padlock must have a maximum shackle diameter of 10.5mm, a height of 32mm and a max. wire diameter of 3.5mm.

DIMENSIONAL DRAWING



Rated current A	N. Poles	A (mm)	B (mm)	C (mm)	D (mm)	Template
16	2P+±	81	72	65	83	A
	3P+±	82	80			
	3P+N+±	84	87			
32	2P+±	91	93	100	108	B
	3P+±					
	3P+N+±					
63	2P+±, 3P+±, 3P+N+±	128.5	112	100	108	B
125	2P+±, 3P+±, 3P+N+±	134	126	114	114	C

Modular options and accessories are also available on pages 29-33.



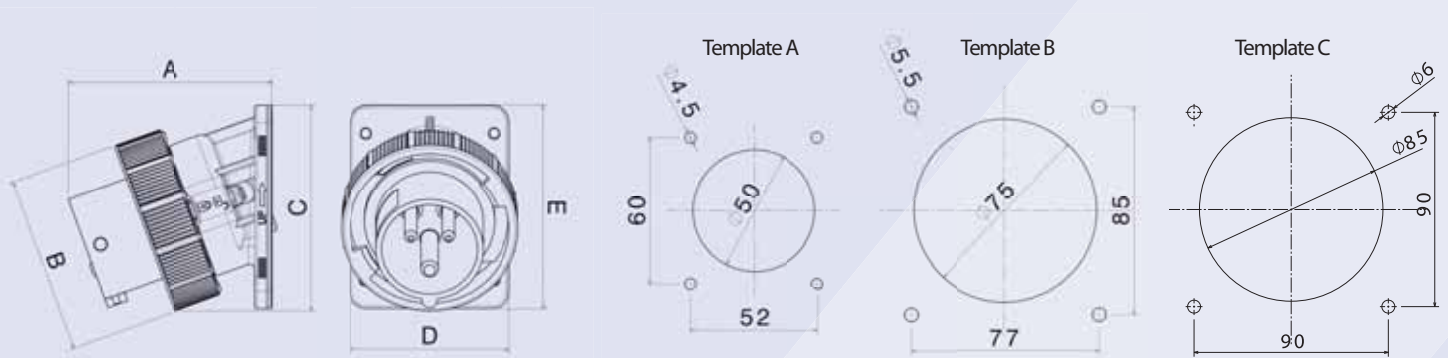
20° Angled panel - mounted inlets

50/60 Hz - IP66/IP67/IP68/IP69

Rated current A	Rated voltage V	2P+E		3P+E		4P+E	
		Part number	h. ref.	Part number	h. ref.	Part number	h. ref.
16	● 110	763124	4	-	-	-	-
	● 230	763126	6	-	-	-	-
	● 400	-	-	763136	6	763146	6
32	● 110	763224	4	-	-	-	-
	● 230	763226	6	-	-	-	-
	● 400	-	-	763236	6	763246	6
63	● 400	-	-	763336	6	763346	6
125	● 400	-	-	763436	6	763446	6

Features: The plugs are designed to allow for padlocking, either in a stand-alone fashion or connected to sockets. The padlock must have a maximum shackle diameter of 10.5mm, a height of 32mm and a max. wire diameter of 3.5mm.

DIMENSIONAL DRAWING



Rated current A	N. Poles	A (mm)	B (mm)	C (mm)	D (mm)	E (mm)	Template
16	2P++	83	72	84	65	83	A
	3P++	84	80	88			
	3P+N++	89	87	92			
32	2P++	95	93	96	100	108	B
	3P++	100	100	115			
	3P+N++	100	100	115			
63	2P++, 3P++, 3P+N++	134	112	132	114	114	C
125	2P++, 3P++, 3P+N++	144	126	147	114	114	C

Modular options and accessories are also available on pages 29-33



Straight panel - mounted sockets

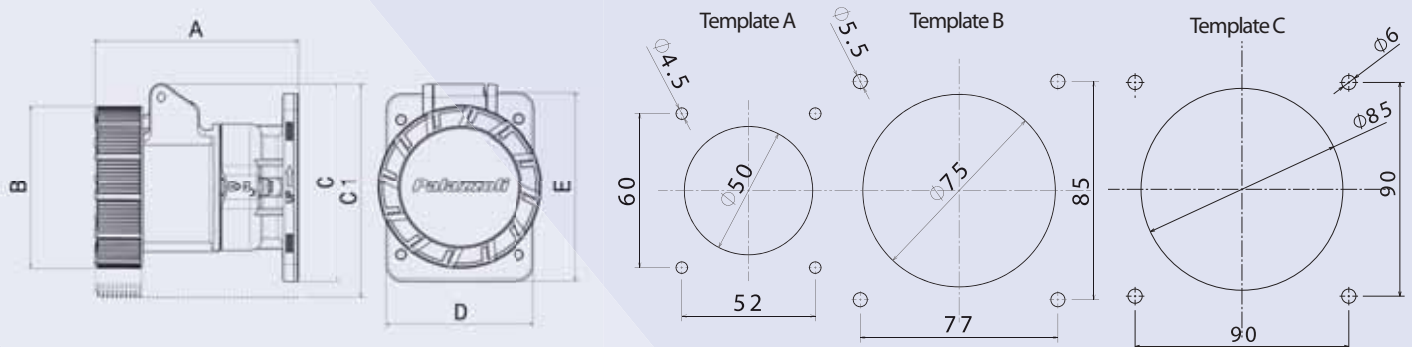
50/60 Hz - IP66/IP67/IP68/IP69

Rated current A	Rated voltage V	2P+E		3P+E		4P+E	
		Part number	h. ref.	Part number	h. ref.	Part number	h. ref.
16	● 110	772124	4	772134	4	772144	4
	● 230	772126	6	772139	9	772149	9
	● 400	772129	9	772136	6	772146	6
	● 500	-	-	772137	7	772147	7
32	● 110	772224	4	772234	4	772244	4
	● 230	772226	6	772239	9	772249	9
	● 400	772229	9	772236	6	772246	6
	● 500	-	-	772237	7	772247	7
	● 380-440	-	-	772233	3	-	-
63	● 110	772324	4	772334	4	772344	4
	● 230	772326	6	772339	9	772349	9
	● 400	772329	9	772336	6	772346	6
	● 500	-	-	772337	7	772347	7
125	● 110	-	-	772434	4	772444	4
	● 230	-	-	772439	9	772449	9
	● 400	-	-	772436	6	772446	6
	● 500	-	-	772437	7	772447	7

Features: The sockets are designed to allow for padlocking, either in a stand-alone fashion or connected to plugs.

The padlock must have a maximum shackle diameter of 10.5mm, a height of 32mm and a max. wire diameter of 3.5mm.

DIMENSIONAL DRAWING



Rated current A	N. Poles	A (mm)	B (mm)	C (mm)	C1 (mm)	D (mm)	E (mm)	Template
16	2P++	90	72	87	102.5	65	83	A
	3P++	91	80	91				
	3P+N++	94	87	97				
32	2P++	104	93	97.5	117	100	108	B
	3P++	108	100	114				
	3P+N++	108	100	114				
63	2P++, 3P++, 3P+N++	150	109	116.5	132	114	114	C
125	2P++, 3P++, 3P+N++	157	124	127				

Modular options and accessories are also available on pages 29-33.



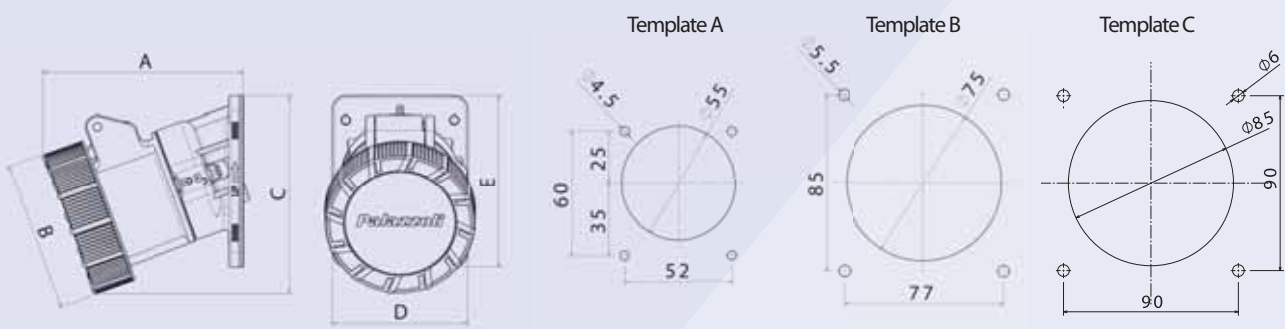
20° Angled panel - mounted sockets

50/60 Hz - IP66/IP67/IP68/IP69

Rated current A	Rated voltage V	2P+E		3P+E		4P+E	
		Part number	h. ref.	Part number	h. ref.	Part number	h. ref.
16	● 110	773124	4	773134	4	773144	4
	● 230	773126	6	773139	9	773149	9
	● 400	773129	9	773136	6	773146	6
	● 500	-	-	773137	7	773147	7
32	● 110	773224	4	773234	4	773244	4
	● 230	773226	6	773239	9	773249	9
	● 400	773229	9	773236	6	773246	6
	● 500	-	-	773237	7	773247	7
	● 380-440	-	-	773233	3	-	-
63	● 110	773324	4	773334	4	773344	4
	● 230	773326	6	773339	9	773349	9
	● 400	773329	9	773336	6	773346	6
	● 500	-	-	773337	7	773347	7
125	● 110	-	-	773434	4	773444	4
	● 230	-	-	773439	9	773449	9
	● 400	-	-	773436	6	773446	6
	● 500	-	-	773437	7	773447	7

Features: The sockets are designed to allow for padlocking, either in a stand-alone fashion or connected to plugs. The padlock must have a maximum shackle diameter of 10.5mm, a height of 32mm and a max. wire diameter of 3.5mm.

DIMENSIONAL DRAWING



Rated current A	N. Poles	A (mm)	B (mm)	C (mm)	D (mm)	E (mm)	Template
16	2P+±	97	72	96	65	83	A
	3P+±	99	80	100			
	3P+N+±	103	87	104			
32	2P+±	113	93	110	100	108	B
	3P+±	118	100	130			
	3P+N+±	124	109	152			
63	2P+±, 3P+±, 3P+N+±	161	109	152	114	114	C
125	2P+±, 3P+±, 3P+N+±	172	124	168			

Modular options and accessories are also available on pages 29-33

ROTOR

The Unique Compact Switched Interlocked Socket!



WORLD PREMIER

ROTOR

Switch... Isolator... Socket Outlet...
ALL IN ONE!

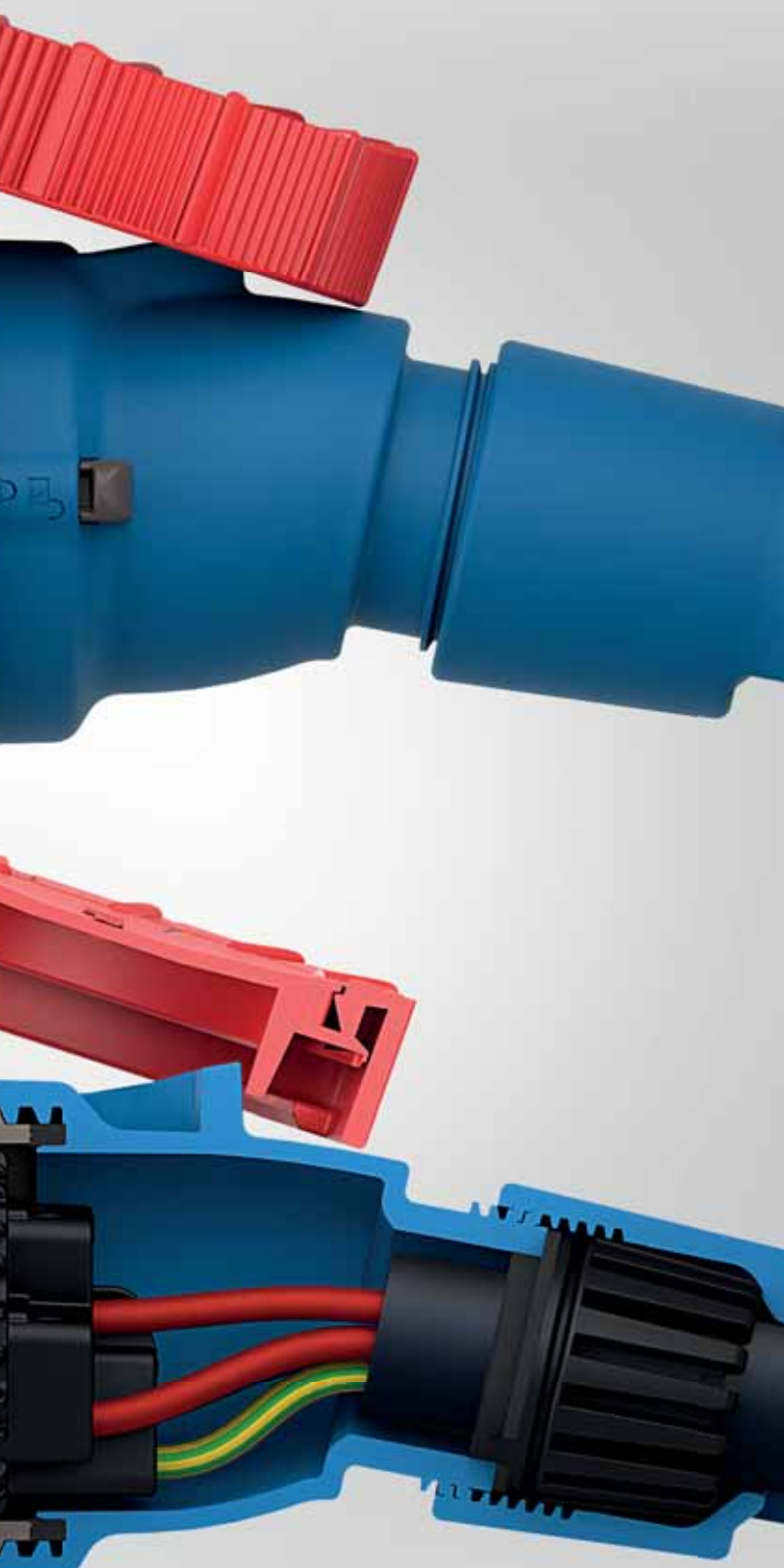


Safety ring coated in
non slip rubber for extra grip

AC-23A switch disconnecter with
independent contacts snap operation

ALL RIGHTS RESERVED
PATENT

**DURABLE... RELIABLE...
VERSATILE...**



from OFF



Plug-in to the connector and turn the safety ring counterclockwise. The integral ON/OFF switch will snap closed instantaneously, allowing energy to flow in total safety.

X-CEE is the world first switched and mechanically interlocked coupler equipped with a rotor (switch disconnecter AC-23A).

Rotor inhibits access to live parts when no plug is inserted, and prevents electric arcing and unwanted disconnections. It eliminates any risk of accident.

to ON



To release the plug and to simply disconnect in total safety, just turn the safety ring clockwise.

The safety ring design with independent and simultaneous contacts snap, in both switching on and off, is a solution typically used in high-end switch disconnectors.

ROTOR

The Unique Compact Switched Interlocked Socket



Conformity to standards	IEC/EN 60309-1 IEC/EN 60309-2 IEC/EN 60309-4 IEC/EN 60947-3
Body material	Reinforced technopolymer
Protection rating (IP as per IEC/EN 60529)	IP66 / IP67 / IP69
Colour	RAL 7046 grey, RAL 5015 blue
Pin and receptacle material	Full nickel-plated brass
Resistance to abnormal heat and fire («Glow wire» as per IEC/EN 60695-2-10)	960°C (contact holders) 850°C (housings)
Self-extinguishing grade (as per UL94)	V0 (contact holders) V2 (housings)
Resistance to impacts (IK rating as per IEC/EN 62262)	IK10
Resistance to crushing	> 500Kg
Rated voltage	50V ÷ 690V
Utilization category	AC-23A
Rated frequency	50Hz ÷ 60Hz
Rated insulation voltage	690V
Pilot contact	63A and 125A plugs and sockets
Storage temperature	-50°C ÷ +90°C
Operating temperature	-40°C ÷ +60°C



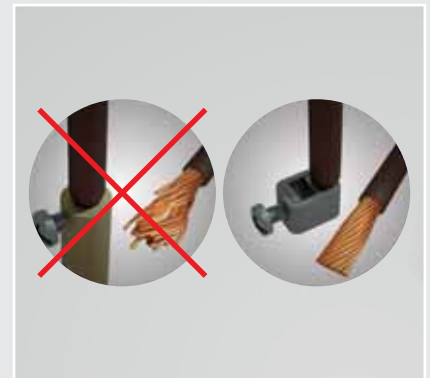
ERGONOMIC COMFORTABLE GRIP FOR EFFORTLESS CONNECTION

The comfortable grip offers easy and safe handling in all conditions, including the use of gloves. The rubber anti-slip coating on the safety ring enhances the grip, facilitating the switch operation even in the presence of oil. The smooth shape of the handle prevents fluid stagnation.



AC-23A SWITCH DISCONNECTOR WITH INDEPENDENT CONTACTS SNAP OPERATION

All sockets are AC-23A certified for use with highly inductive loads. Designed for optimum safety, the built-in rotor switch inhibits access to live parts when not connected and prevents electric arcing and unwanted disconnection.



HEAVY DUTY TERMINALS FOR IMPROVED CONDUCTIVITY AND RESISTANCE TO VIBRATIONS

Heavy duty terminals with cage clamp design are standard throughout the range. This guarantees the cable integrity, ensuring good electrical conductivity and also avoid heating and damage to the cable.



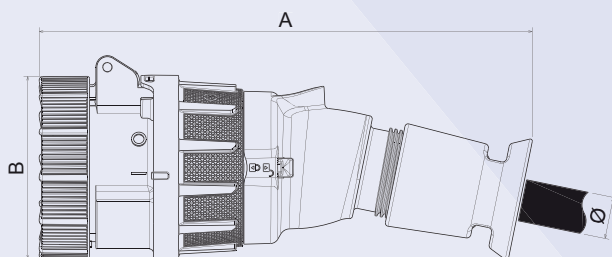
Rotor couplers

50/60 Hz - IP66/IP67/IP69

Rated current A	Rated voltage V	2P+E		3P+E		4P+E	
		Part number	h. ref.	Part number	h. ref.	Part number	h. ref.
16	● 110	410124	4	410134	4	410144	4
	● 230	410126	6	410139	9	410149	9
	● 400	410129	9	410136	6	410146	6
	● 500	-	-	410137	7	410147	7
32	● 110	410224	4	410234	4	410244	4
	● 230	410226	6	410239	9	410249	9
	● 400	410229	9	410236	6	410246	6
	● 500	-	-	410237	7	410247	7
	● 380-440	-	-	410233	3	-	-

Features: Rotor is padlockable in position 0 and 1 with padlock code 419000. The sockets are designed to allow for padlocking, either in a stand-alone fashion or connected to the plugs. The padlock must have a min. shackle width of 10.5mm, a height of 32mm and a max wire diameter of 3.5mm.

DIMENSIONAL DRAWING



Rated current A	N. Poles	A (mm)	B (mm)	Ø (mm)
16	2P++	214	72	6,3÷18
	3P++	224	80	
	3P+N++	235	87	
32	2P++	250	93	11÷23
	3P++			
	3P+N++	264	100	13÷27

Modular options and accessories are also available on pages 29-33.



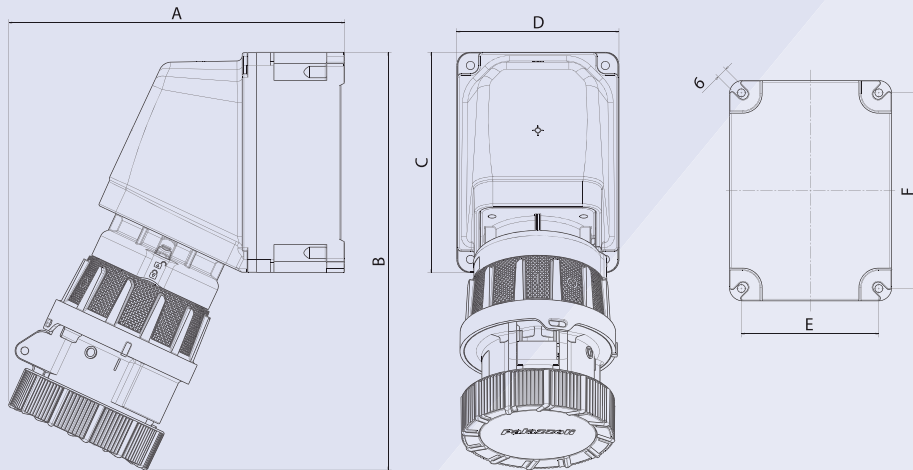
65° Angled wall mounted rotor sockets

50/60 Hz - IP66/IP67/IP69

Rated current A	Rated voltage V	2P+E		3P+E		4P+E	
		Part number	h. ref.	Part number	h. ref.	Part number	h. ref.
16	● 110	416124	4	-	-	-	-
	● 230	416126	6	-	-	-	-
	● 400	-	-	416136	6	416146	6
32	● 110	416224	4	-	-	-	-
	● 230	416226	6	-	-	-	-
	● 400	-	-	416236	6	416246	6

Features: Rotor is padlockable in position 0 and 1 with padlock code 419000. The sockets are designed to allow for padlocking, either in a stand-alone fashion or connected to the plugs. The padlock must have a min. shackle width of 10.5mm, a height of 32mm and a max wire diameter of 3.5mm.

DIMENSIONAL DRAWING



Rated current A	N. Poles	A (mm)	B (mm)	C (mm)	D (mm)	E (mm)	F (mm)
16	2P+±	182	230	125	92	78	111
	3P+±	186	233				
	3P+N+±	191	237				
32	2P+±	200	250	185	125	111	171
	3P+±						
	3P+N+±	243	295				

Modular options and accessories are also available on pages 29-33



Straight panel mounted rotor sockets

50/60 Hz - IP66/IP67/IP69

Rated current A	Rated voltage V	Flange dimensions mm	2P+E		3P+E		4P+E	
			Part number	h. ref.	Part number	h. ref.	Part number	h. ref.
16	● 110	65x83	412124	4	-	-	-	-
	● 230	65x83	412126	6	-	-	-	-
	● 400	65x83	-	-	412136	6	412146	6
32	● 110	65x83	412224	4	-	-	-	-
	● 230	65x83	412226	6	-	-	-	-
	● 400	*	-	-	*412236	6	*412246	6
	● 380-440	65x83	-	-	412233	3	-	-

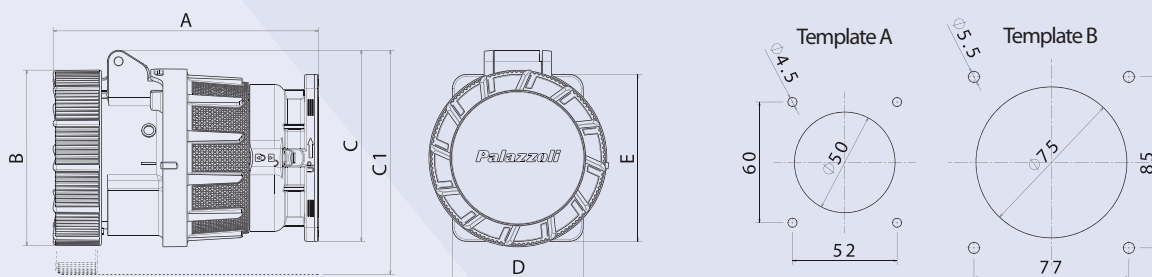
Features: Rotor is padlockable in position 0 and 1 with padlock code 419000. The sockets are designed to allow for padlocking, either in a stand-alone fashion or connected to the plugs. The padlock must have a min. shackle width of 10.5mm, a height of 32mm and a max wire diameter of 3.5mm.

* Flange Dimensions:

412236 = 65mm x 83mm

412246 = 100mm x 108mm

DIMENSIONAL DRAWING



Rated current A	N. Poles	A (mm)	B (mm)	C (mm)	C1 (mm)	D (mm)	E (mm)	Template
16	2P+±	129	72	87	102,5	65	83	A
	3P+±		80	91				
	3P+N+±	132	87	97				
32	2P+±	146	93	97,5	102,5	100	108	B
	3P+±							
	3P+N+±							

Modular options and accessories are also available on pages 29-33.



20° Angled panel mounted rotor sockets

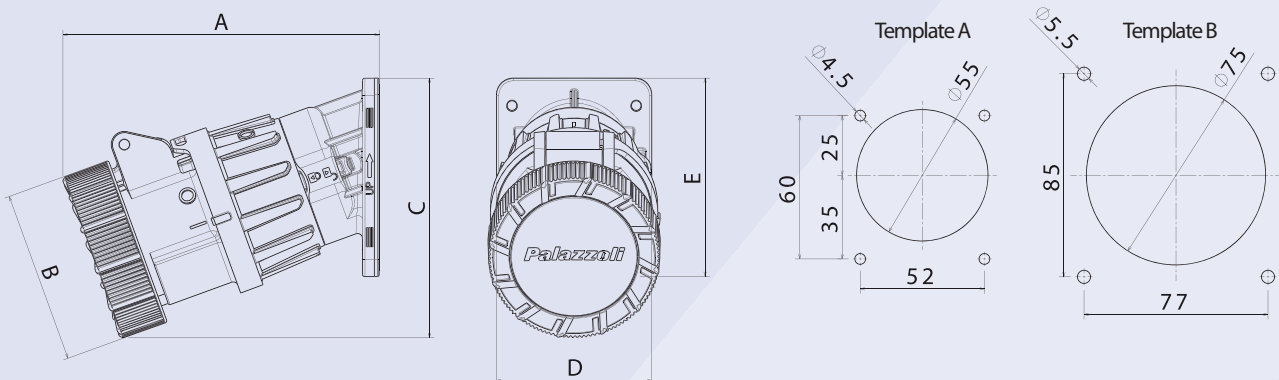
50/60 Hz - IP66/IP67/IP69

Rated current A	Rated voltage V	Flange dimensions mm	2P+E		3P+E		4P+E	
			Part number	h. ref.	Part number	h. ref.	Part number	h. ref.
16	● 110	65x83	413124	4	-	-	-	-
	● 230	65x83	413126	6	-	-	-	-
	● 400	65x83	-	-	413136	6	413146	6
32	● 110	65x83	413224	4	-	-	-	-
	● 230	65x83	413226	6	-	-	-	-
	● 400	*	-	-	*413236	6	*413246	6

Features: Rotor is padlockable in position 0 and 1 with padlock code 419000. The sockets are designed to allow for padlocking, either in a stand-alone fashion or connected to the plugs. The padlock must have a min. shackle width of 10.5mm, a height of 32mm and a max wire diameter of 3.5mm.

* Flange dimensions:
413236 = 65mm x 83mm
413246 = 100mm x 108mm

DIMENSIONAL DRAWING

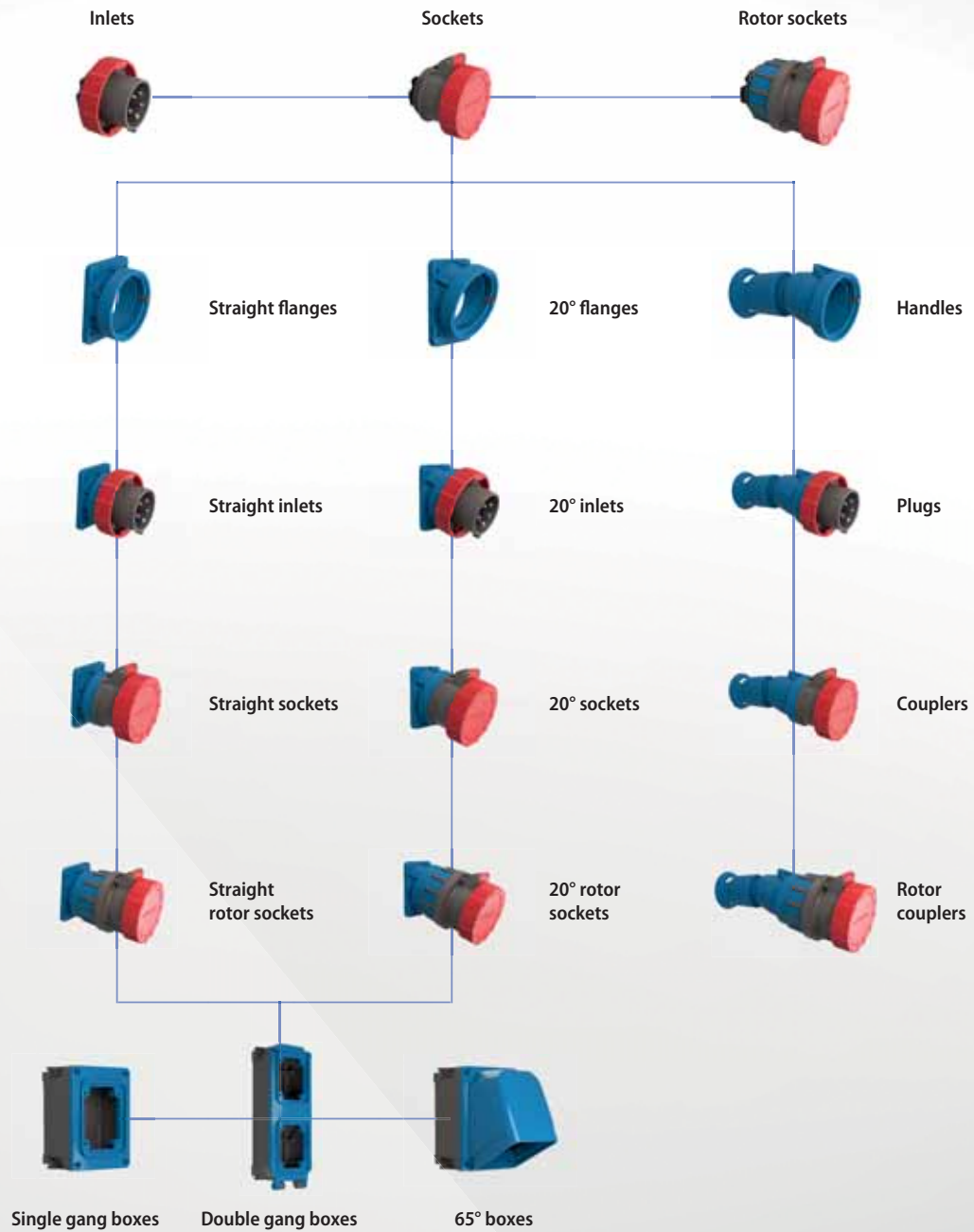


Rated current A	N. Poles	A (mm)	B (mm)	C (mm)	D (mm)	E (mm)	Template
16	2P+±	133	72	109	65	83	A
	3P+±	135	80	113			
	3P+N+±	139	87	117			
32	2P+±	152	93	125	100	108	B
	3P+±	157	100	144			
	3P+N+±	157	100	144			

Modular options and accessories are also available on pages 29-33

MODULAR OPTIONS

There are up to 2,436 possible combinations



Example of combinations

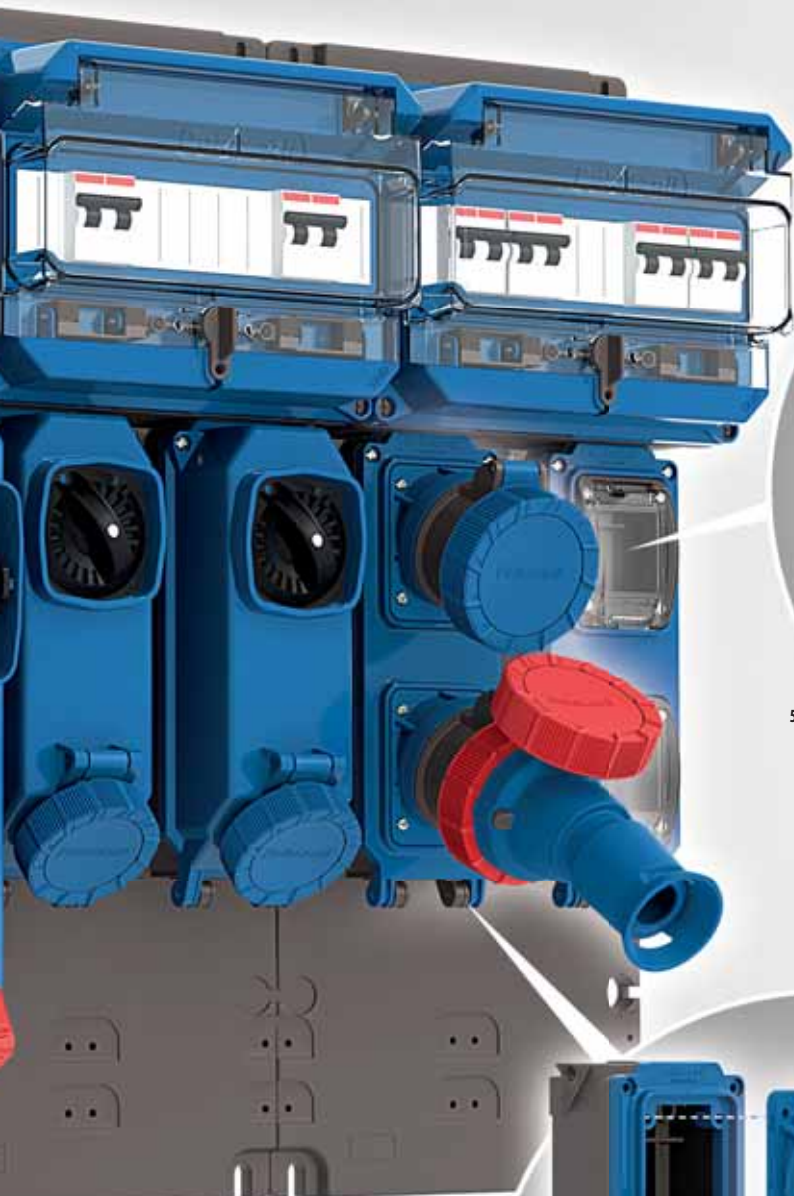




X-CEE is perfectly compatible with the TAIS GRP series. This design feature significantly enhances the possibilities and convenience of Palazzoli integrated solutions.

Inlets and sockets can be installed:

- On thermosetting (GRP) back boxes, to create multiple wall-mounted configurations
- On angled back boxes, to create 65° or 85° compact installations
- On thermosetting (GRP) back plates combined with a box with blind or transparent cover for modular circuit protections against overcurrent or overvoltage
- As inlet to power the combination unit or as socket to withdraw energy, in combination with TAIS interlocked sockets
- In combination with domestic sockets, even protected by watertight caps, to power industrial and domestic appliances.



Total compatibility with domoTER domestic sockets



Fix the components with



This feature allows the replacement of the component without the need to change the mounting box



Up to

2,436
solutions



Inlets

IP66/IP67/IP68/IP69

Rated current A	Rated voltage V	Frequency	2P+E		3P+E		4P+E	
			Part number	h. ref.	Part number	h. ref.	Part number	h. ref.
16	● 110	50-60 Hz	769124	4	769134	4	769144	4
	● 230	50-60 Hz	769126	6	769139	9	769149	9
	● 400	50-60 Hz	769129	9	769136	6	769146	6
	● 500	50-60 Hz	769127	7	769137	7	769147	7
	● 690	50-60 Hz	-	-	769135	5	769145	5
	● >250V	DC	769121	8	-	-	-	-
	● >50V	100-300 Hz	769120	10	769130	10	769140	10
	● 440-460V	60 Hz	-	-	769131	11	769141	11
	● >50V	50-60 Hz	769128	12	769138	12	-	-
	● >50V	300-500 Hz	769122	2	769132	2	769142	2
	● >50-250V	DC	769123	3	-	-	-	-
	● 380-440V	50-60 Hz	-	-	769133	3	769143	3
	32	● 110	50-60 Hz	769224	4	769234	4	769244
● 230		50-60 Hz	769226	6	769239	9	769249	9
● 400		50-60 Hz	769229	9	769236	6	769246	6
● 500		50-60 Hz	769227	7	769237	7	769247	7
● 690		50-60 Hz	-	-	769235	5	769245	5
● >250V		DC	769221	8	-	-	-	-
● >50V		100-300 Hz	769220	10	769230	10	769240	10
● 440-460V		60 Hz	-	-	769231	11	769241	11
● >50V		50-60 Hz	769228	12	769238	12	-	-
● >50V		300-500 Hz	769222	2	769232	2	769242	2
● >50-250V		DC	769223	3	-	-	-	-
● 380-440V		50-60 Hz	-	-	769233	3	769243	3
63		● 110	50-60 Hz	769324	4	769334	4	769344
	● 230	50-60 Hz	769326	6	769339	9	769349	9
	● 400	50-60 Hz	769329	9	769336	6	769346	6
	● 500	50-60 Hz	769327	7	769337	7	769347	7
	● 690	50-60 Hz	-	-	769335	5	769345	5
	● >250V	DC	769321	8	-	-	-	-
	● >50V	100-300 Hz	769320	10	769330	10	769340	10
	● 440-460V	60 Hz	-	-	769331	11	769341	11
	● >50V	50-60 Hz	769328	12	769338	12	-	-
	● >50V	300-500 Hz	769322	2	769332	2	769342	2
	● >50-250V	DC	769323	3	-	-	-	-
	● 380-440V	50-60 Hz	-	-	769333	3	769343	3
	125	● 110	50-60 Hz	769424	4	769434	4	769444
● 230		50-60 Hz	769426	6	769439	9	769449	9
● 400		50-60 Hz	769429	9	769436	6	769446	6
● 500		50-60 Hz	769427	7	769437	7	769447	7
● 690		50-60 Hz	-	-	769435	5	769445	5
● >250V		DC	769421	8	-	-	-	-
● >50V		100-300 Hz	769420	10	769430	10	769440	10
● 440-460V		60 Hz	-	-	769431	11	769441	11
● >50V		50-60 Hz	769428	12	769438	12	-	-
● >50V		300-500 Hz	769422	2	769432	2	769442	2
● >50-250V		DC	769423	3	-	-	-	-
● 380-440V		50-60 Hz	-	-	769433	3	769443	3

Features: The plugs are designed to allow for padlocking, either in a stand-alone fashion or connected to sockets. The padlock must have a maximum shackle diameter of 10.5mm, a height of 32mm and a max. wire diameter of 3.5mm



Sockets

IP66/IP67/IP68/IP69

Rated current A	Rated voltage V	Frequency	2P+E		3P+E		4P+E	
			Part number	h. ref.	Part number	h. ref.	Part number	h. ref.
16	● 110	50-60 Hz	779124	4	779134	4	779144	4
	● 230	50-60 Hz	779126	6	779139	9	779149	9
	● 400	50-60 Hz	779129	9	779136	6	779146	6
	● 500	50-60 Hz	779127	7	779137	7	779147	7
	● 690	50-60 Hz	-	-	779135	5	779145	5
	● >250V	DC	779121	8	-	-	-	-
	● >50V	100-300 Hz	779120	10	779130	10	779140	10
	● 440-460V	60 Hz	-	-	779131	11	779141	11
	● >50V	50-60 Hz	779128	12	779138	12	-	-
	● >50V	300-500 Hz	779122	2	779132	2	779142	2
	● >50-250V	DC	779123	3	-	-	-	-
	● 380-440V	50-60 Hz	-	-	779133	3	779143	3
32	● 110	50-60 Hz	779224	4	779234	4	779244	4
	● 230	50-60 Hz	779226	6	779239	9	779249	9
	● 400	50-60 Hz	779229	9	779236	6	779246	6
	● 500	50-60 Hz	779227	7	779237	7	779247	7
	● 690	50-60 Hz	-	-	779235	5	779245	5
	● >250V	DC	779221	8	-	-	-	-
	● >50V	100-300 Hz	779220	10	779230	10	779240	10
	● 440-460V	60 Hz	-	-	779231	11	779241	11
	● >50V	50-60 Hz	779228	12	779238	12	-	-
	● >50V	300-500 Hz	779222	2	779232	2	779242	2
	● >50-250V	DC	779223	3	-	-	-	-
	● 380-440V	50-60 Hz	-	-	779233	3	779243	3
63	● 110	50-60 Hz	779324	4	779334	4	779344	4
	● 230	50-60 Hz	779326	6	779339	9	779349	9
	● 400	50-60 Hz	779329	9	779336	6	779346	6
	● 500	50-60 Hz	779327	7	779337	7	779347	7
	● 690	50-60 Hz	-	-	779335	5	779345	5
	● >250V	DC	779321	8	-	-	-	-
	● >50V	100-300 Hz	779320	10	779330	10	779340	10
	● 440-460V	60 Hz	-	-	779331	11	779341	11
	● >50V	50-60 Hz	779328	12	779338	12	-	-
	● >50V	300-500 Hz	779322	2	779332	2	779342	2
	● >50-250V	DC	779323	3	-	-	-	-
	● 380-440V	50-60 Hz	-	-	779333	3	779343	3
125	● 110	50-60 Hz	779424	4	779434	4	779444	4
	● 230	50-60 Hz	779426	6	779439	9	779449	9
	● 400	50-60 Hz	779429	9	779436	6	779446	6
	● 500	50-60 Hz	779427	7	779437	7	779447	7
	● 690	50-60 Hz	-	-	779435	5	779445	5
	● >250V	DC	779421	8	-	-	-	-
	● >50V	100-300 Hz	779420	10	779430	10	779440	10
	● 440-460V	60 Hz	-	-	779431	11	779441	11
	● >50V	50-60 Hz	779428	12	779438	12	-	-
	● >50V	300-500 Hz	779422	2	779432	2	779442	2
	● >50-250V	DC	779423	-	-	-	-	-
	● 380-440V	50-60 Hz	-	-	779433	3	779443	3

Features: The plugs are designed to allow for padlocking, either in a stand-alone fashion or connected to sockets.

The padlock must have a maximum shackle diameter of 10.5mm, a height of 32mm and a max. wire diameter of 3.5mm



Rotor sockets

IP66/IP67/IP69

Rated current A	Rated voltage V	Frequency	2P+E		3P+E		4P+E	
			Part number	h. ref.	Part number	h. ref.	Part number	h. ref.
16	● 110	50-60 Hz	419124	4	419134	4	419144	4
	● 230	50-60 Hz	419126	6	419139	9	419149	9
	● 400	50-60 Hz	419129	9	419136	6	419146	6
	● 500	50-60 Hz	419127	7	419137	7	419147	7
	● 690	50-60 Hz	-	-	419135	5	419145	5
	● >250V	DC	419121	8	-	-	-	-
	● >50V	100-300 Hz	419120	10	419130	10	419140	10
	● 440-460V	60 Hz	-	-	419131	11	419141	11
	● >50V	50-60 Hz	419128	12	419138	12	-	-
	● >50V	300-500 Hz	419122	2	419132	2	419142	2
	● >50-250V	DC	419123	3	-	-	-	-
	● 380-440V	50-60 Hz	-	-	419133	3	419143	3
	32	● 110	50-60 Hz	419224	4	419234	4	419244
● 230		50-60 Hz	419226	6	419239	9	419249	9
● 400		50-60 Hz	419229	9	419236	6	419246	6
● 500		50-60 Hz	419227	7	419237	7	419247	7
● 690		50-60 Hz	-	-	419235	5	419245	5
● >250V		DC	419221	8	-	-	-	-
● >50V		100-300 Hz	419220	10	419230	10	419240	10
● 440-460V		60 Hz	-	-	419231	11	419241	11
● >50V		50-60 Hz	419228	12	419238	12	-	-
● >50V		300-500 Hz	419222	2	419232	2	419242	2
● >50-250V		DC	419223	3	-	-	-	-
● 380-440V		50-60 Hz	-	-	419233	3	419243	3

Features: Rotor is padlockable in position 0 and 1 with padlock code 419000. The sockets are designed to allow for padlocking, either in a stand-alone fashion or connected to the plugs. The padlock must have a min. shackle width of 10.5mm, a height of 32mm and a max wire diameter of 3.5mm.

Handles

IP66/IP67/IP68/IP69



Rated current A	2P+E	3P+E	3P+N+E	Entry cable diameter (mm)
	Part number	Part number	Part number	
16	419001	419002	419003	6.3-18
32	419003*	419003*	419004*	*
63	419005	419005	419005	14-36
125	419006	419006	419006	16-50

* entry cable diameter for 419003 = 9 mm - 18mm

* entry cable diameter for 419004 = 13mm - 27mm

Straight panel mounted flanges

IP66/IP67/IP68/IP69



Rated current A	2P+E	3P+E	3P+N+E	Entry cable diameter (mm)
	Part number	Part number	Part number	
16	419021	419022	419023	65 x 83
32	419023*	419023*	419024*	*
63	419025	419025	419025	100x108
125	419026	419026	419026	114x114

* flange dimensions for 419023 = 65mm x 83mm

* flange dimensions for 419024 = 100mm x 108mm

20° Angled panel mounted flanges

IP66/IP67/IP68/IP69



Rated current A	2P+E	3P+E	3P+N+E	Entry cable diameter (mm)
	Part number	Part number	Part number	
16	419031	419032	419033	65 x 83
32	419033*	419033*	419034*	*
63	419035	419035	419035	100x108
125	419036	419036	419036	114x114

* flange dimensions for 419033 = 65mm x 83mm

* flange dimensions for 419034 = 100mm x 108mm

65° Angled wall mounted boxes modular with Tais system

IP66/IP67/IP68/IP69



For flange with dimensions (mm)	Box dimensions (mm)	Part Number
65 x 83	92 x 125	532131
100x108	125 x 185	532132
114x114	-	532133

Wall-mounted single gang boxes modular with Tais system IP66/IP67/IP68/IP69



For flange with dimensions (mm)	Box dimensions (mm)	Part Number
65 x 83	92 x 125	532101
100x108	125 x 185	532102
114x114	-	532103

Wall-mounted double gang boxes modular with Tais system IP66/IP67/IP68/IP69



For flange with dimensions (mm)	Box dimensions (mm)	Part Number
2x (65 x 83)	92 x 255	532121
2 x (100x108)	125 x 352	532122

Boxes in Thermosetting GRP with blind cover for composition of socket boards

IP66/IP67



Outer dimensions (mm)	Holes	Max. number of installable sockets		Part Number
		Mod. 95	Mod. 125	
125x185x125	-	1	1	532200
190x185x125	-	2	-	532201
190x185x125	2xM25	2	-	532211*
250x185x125	-	2	2	532202
290x185x125	-	3	-	532203
380x185x125	-	4	3	532204

* Equipment included: 532211 with 2 fittings M25 for rapid coupling. Supplied with drilling template
Note: the following Palazzoli terminal blocks can be inserted into all boxes:
3x25mm², 4x16mm², 3x35mm², 4x25mm², 3x70mm², 4x35mm².

Boxes in Thermosetting GRP with transparent cover for composition of socket boards

IP66/IP67



Outer dimensions (mm)	Holes	Max. number of installable sockets		No. of DIN modules	Part Number
		Mod. 95	Mod. 125		
125x185x125	-	1	1	5	532300
190x185x125	-	2	-	8	532301
190x185x125	2xM25	2	-	8	532311*
250x185x125	-	2	2	12	532302
290x185x125	-	3	-	14	532303
380x185x125	-	4	3	19	532304

* Equipment included : 532311 with 2 fittings M25 for rapid coupling.
Supplied with drilling template; Padlockable modular door.

Mounting plates in Thermosetting GRP with guided system for composition of socket boards

IP66/IP67



Outer dimensions (mm)	Max. number of installable sockets		Part Number
	Mod. 95	Mod. 125	
125x630	1	1	538800
190x500	2	-	538801
250x630	2	-	538802
290x500	3	2	538803
380x630	3	-	538804

Equipment included : built-in threaded metal dowels, supplied with screws and stainless steel washers for fastening.

Blind flanges for wall-mounted boxes

IP66/IP67/IP68/IP69



For flange with dimensions (mm)	Part Number
65 x 83	532843
100x108	532842

Fittings for rapid coupling in technopolymer for composition of socket boards

IP66/IP67



Hole Type	Mounting hole (mm)	Max. diameter for cable passage (mm)	Part Number
M25	25.5	16	538425
M32	32.5	20	538432

Adaptors from Pg hole to metric hole

IP66/IP67



From hole		To metric hole	Part Number
Pg	Metric		
21	M25	M25	538421
29	M32	M32	538429
36	M40	M40	538436

Notes : They allow to couple sockets with Pg or metric hole to boxes with metric hole and vice versa.

Padlock for rotor sockets



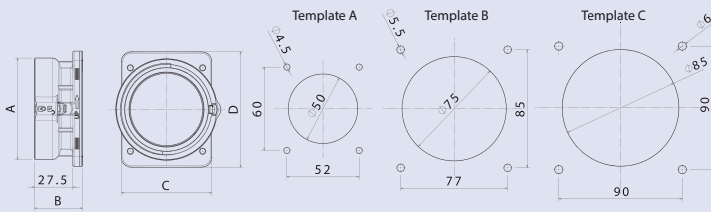
Wire diameter (mm)	Material	Part Number
2.75	Steel - Brass	419000

The padlock prevents the safety ring from turning

DIMENSIONAL DRAWING

Straight panel mounted flanges

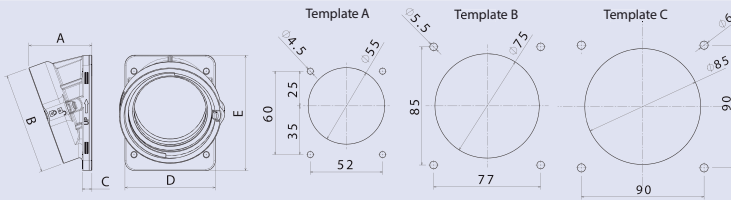
IP66/IP67/IP68/IP69



Rated current A	N. Poles	A (mm)	B (mm)	C (mm)	D (mm)	Template
16	2P++	56.5	34.5	65	83	A
	3P++	64				
	3P+N++	73				
32	2P++	80	100	100	108	B
	3P++					
63	2P+±, 3P+±, 3P+N+±	93	48			
125	2P+±, 3P+±, 3P+N+±	108	46	114	114	C

20° angled panel mounted flanges

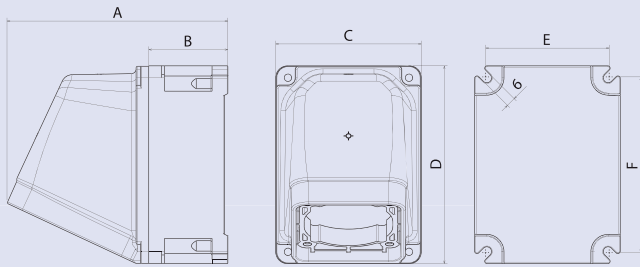
IP66/IP67/IP68/IP69



Rated current A	N. Poles	A (mm)	B (mm)	C (mm)	D (mm)	E (mm)	Template
16	2P++	42	56.5	7	65	83	A
	3P++	44	64				
	3P+N++	45	73				
32	2P++	48.5	80	9	100	108	B
	3P++						
63	2P+±, 3P+±, 3P+N+±	63	93				
125	2P+±, 3P+±, 3P+N+±	65	108	9.5	114	114	C

65° angled wall mounted boxes modular with Tais system

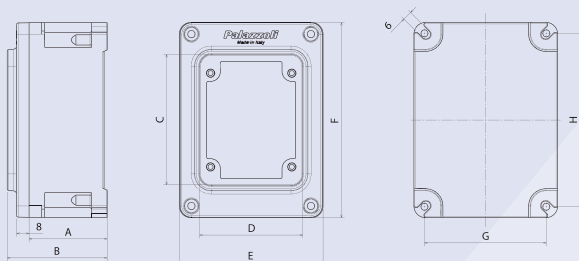
IP66/IP67/IP68/IP69



Part Number	A (mm)	B (mm)	C (mm)	D (mm)	E (mm)	F (mm)
532131	140	50	92	125	78	111
532132	190	75	125	185	111	171
532133	208					

Wall-mounted single gang boxes modular with Tais system

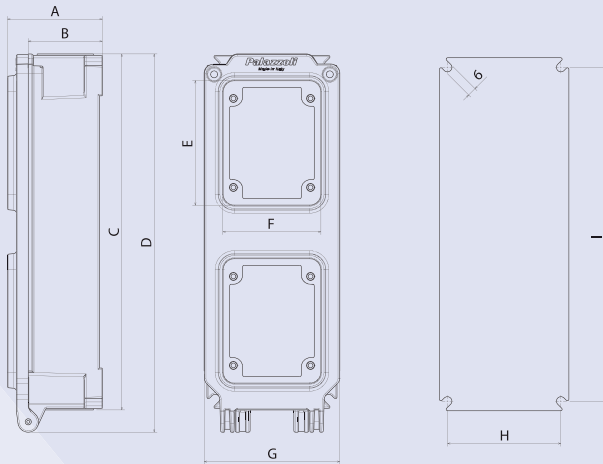
IP66/IP67/IP68/IP69



Part Number	A (mm)	B (mm)	C (mm)	D (mm)	E (mm)	F (mm)	G (mm)	H (mm)
532101	50	64	83	65	92	125	78	111
532102	70	91	108	100	125	185	111	171
532102		108.5	14	114				

Wall-mounted double gang boxes modular with Tais system

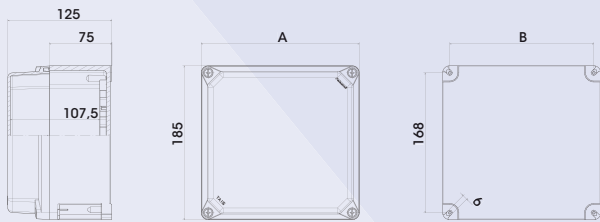
IP66/IP67/IP68/IP69



Part Number	A (mm)	B (mm)	C (mm)	D (mm)	E (mm)	F (mm)	G (mm)	H (mm)	I (mm)
532201	64	50	240	255	83	65	92	78	225
532202	91	75	335	352	108	100	125	109	319

Boxes in thermosetting GRP with blind cover for composition of socket boards

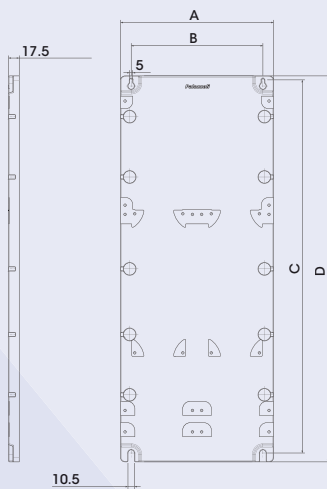
IP66/IP67



Part Number	A (mm)	B (mm)
532200	125	108
532201	190	173
532202	250	233
532203	290	273
532204	380	363

Mounting plates in thermosetting GRP with guided system for composition of socket boards

IP66/IP67



Part Number	A (mm)	B (mm)	C (mm)	D (mm)
538800	125	90	609	630
538801	190	155	480	500
538802	250	215	609	630
538803	290	255	483	500
538804	380	345	609	630

Technical information



PROTECTION RATING

IP6X	protected against access to hazardous parts and totally protected against dust
IPX6	protected against powerful water jets
IPX7	protected against the effects of temporary immersion in water (max 1 m / max 30 min)
IPX8	protected against the effects of continuous immersion in water (1 m - 60 min)
IPX9	protected against high pressure and temperature jets

RATED OPERATING CURRENT

		A	16A	32A	63A	12A
Thermal current I _{th}		A	16	32	63	125
AC23A		A	16	32	63	125
230V			0.51	1.02	2.01	3.98
400V			0.89	1.77	3.49	6.93
500V			1.11	2.22	4.36	8.66
690V			1.53	3.06	6.02	12

CHEMICAL RESISTANCE

Water	Saline solution	Acids		Bases		Solvents			
		Concentrated	Diluted	Concentrated	Diluted	Alcohol	Acetone	Perchloro-ethylene	Benzene
↑	↑	→	→	↑	↑	↑	↑	↑	↓
Oils		Fats		Ammonia	Oxidizers	Inorganic salts	Gasoline	Detergents	U.V. rays
Mineral	Vegetable	Animal	Syntetic						
↑	↑	↑	↑	↑	→	↑	↑	↑	↑

Code	Pack Qty.	Page No.
769328	1	26
769322	1	26
769323	1	26
769424	1	26
769426	1	26
769429	1	26
769427	1	26
769421	1	26
769420	1	26
769428	1	26
769422	1	26
769423	1	26
769134	1	26
769139	1	26
769136	1	26
769137	1	26
769135	1	26
769130	1	26
769131	1	26
769138	1	26
769132	1	26
769133	1	26
769234	1	26
769239	1	26
769236	1	26
769237	1	26
769235	1	26
769230	1	26
769231	1	26
769238	1	26
769232	1	26
769233	1	26
769334	1	26
769339	1	26
769336	1	26
769337	1	26
769335	1	26
769330	1	26
769331	1	26
769338	1	26
769332	1	26
769333	1	26
769434	1	26
769439	1	26
769436	1	26
769437	1	26
769435	1	26
769430	1	26
769431	1	26
769438	1	26
769432	1	26
769433	1	26
769144	1	26
769149	1	26
769146	1	26
769147	1	26
769145	1	26
769140	1	26
769141	1	26
769142	1	26
769143	1	26
769244	1	26
769249	1	26
769246	1	26
769247	1	26
769245	1	26

Code	Pack Qty.	Page No.
769240	1	26
769241	1	26
769242	1	26
769243	1	26
769344	1	26
769349	1	26
769346	1	26
769347	1	26
769345	1	26
769340	1	26
769341	1	26
769342	1	26
769343	1	26
769444	1	26
769449	1	26
769446	1	26
769447	1	26
769445	1	26
769440	1	26
769441	1	26
769442	1	26
769443	1	26
779124	1	27
779126	1	27
779129	1	27
779127	1	27
779121	1	27
779120	1	27
779128	1	27
779122	1	27
779123	1	27
779224	1	27
779226	1	27
779229	1	27
779227	1	27
779221	1	27
779220	1	27
779228	1	27
779222	1	27
779223	1	27
779324	1	27
779326	1	27
779329	1	27
779327	1	27
779321	1	27
779320	1	27
779328	1	27
779322	1	27
779323	1	27
779424	1	27
779426	1	27
779429	1	27
779427	1	27
779421	1	27
779420	1	27
779428	1	27
779422	1	27
779423	1	27
779134	1	27
779139	1	27
779136	1	27
779137	1	27
779135	1	27
779130	1	27
779131	1	27
779138	1	27

Code	Pack Qty.	Page No.
779132	1	27
779133	1	27
779234	1	27
779239	1	27
779236	1	27
779237	1	27
779235	1	27
779230	1	27
779231	1	27
779238	1	27
779232	1	27
779233	1	27
779334	1	27
779339	1	27
779336	1	27
779337	1	27
779335	1	27
779330	1	27
779331	1	27
779338	1	27
779332	1	27
779333	1	27
779434	1	27
779439	1	27
779436	1	27
779437	1	27
779435	1	27
779430	1	27
779431	1	27
779438	1	27
779432	1	27
779433	1	27
779144	1	27
779149	1	27
779146	1	27
779147	1	27
779145	1	27
779140	1	27
779141	1	27
779142	1	27
779143	1	27
779244	1	27
779249	1	27
779246	1	27
779247	1	27
779245	1	27
779240	1	27
779241	1	27
779242	1	27
779243	1	27
779344	1	27
779349	1	27
779346	1	27
779347	1	27
779345	1	27
779340	1	27
779341	1	27
779342	1	27
779343	1	27
779444	1	27
779449	1	27
779446	1	27
779447	1	27
779445	1	27
779440	1	27
779441	1	27

Code	Pack Qty.	Page No.
779442	1	27
779443	1	27
419124	1	28
419126	1	28
419129	1	28
419127	1	28
419121	1	28
419120	1	28
419128	1	28
419122	1	28
419123	1	28
419224	1	28
419226	1	28
419229	1	28
419227	1	28
419221	1	28
419220	1	28
419228	1	28
419222	1	28
419223	1	28
419134	1	28
419139	1	28
419136	1	28
419137	1	28
419135	1	28
419130	1	28
419131	1	28
419138	1	28
419132	1	28
419133	1	28
419234	1	28
419239	1	28
419236	1	28
419237	1	28
419235	1	28
419230	1	28
419231	1	28
419238	1	28
419232	1	28
419233	1	28
419144	1	28
419149	1	28
419146	1	28
419147	1	28
419145	1	28
419140	1	28
419141	1	28
419142	1	28
419143	1	28
419244	1	28
419249	1	28
419246	1	28
419247	1	28
419245	1	28
419240	1	28
419241	1	28
419242	1	28
419243	1	28
419001	1	29
419003*	1	29
419005	1	29
419006	1	29
419002	1	33
419003*	1	33
419005	1	33
419006	1	33

Code	Pack Qty.	Page No.
419003	1	33
419004*	1	33
419005	1	33
419006	1	33
419021	1	29
419023*	1	29
419025	1	29
419026	1	29
419022	1	33
419023*	1	33
419025	1	33
419026	1	33
419026	1	33
419023	1	33
419024*	1	33
419025	1	33
419026	1	33
419031	1	29
419033*	1	29
419035	1	29
419036	1	29
419032	1	33
419033*	1	33
419035	1	33
419036	1	33
419033	1	33
419034*	1	33
419035	1	33
419036	1	33
532131	1	29
532132	1	29
532133	1	29
532101	1	30
532102	1	30
532103	1	30
532121	1	30
532122	1	30
532843	1	31
532842	1	31
419000	1	31
532200	1	30
532201	1	30
532211*	1	30
532202	1	30
532203	1	30
532204	1	30
532300	1	30
532301	1	30
532311*	1	30
532302	1	30
532303	1	30
532304	1	30
538425	1	31
538432	1	31
538800	1	31
538801	1	31
538802	1	31
538803	1	31
538804	1	31
538421	1	31
538429	1	31
538436	1	31

XCEE prevents overheating and cable damage

ENVIRONMENTS

- Airports
- Military applications
- Hangars
- Maritime industry
- Mechanical industry
- Butcheries
- Steelmaking industry
- Metalworking industries
- Swimming pools
- Textile industries
- Dye houses
- Surgeries and operating rooms
- Offshore boats

RISKS

- High inrush currents
- Salty atmosphere
- Frequent insertion of plugs
- Presence of condensate
- High temperature changes
- Work in confined spaces
- Use of disinfectants and chlorine
- Operation with gloves

SOLUTIONS

- AC3 - AC23A isolator switch
- Excellent resistance to marine environments
- Socket anchored to the cover without screws
- Hermetic, anti-condensation enclosure
- Stability at high and low temperatures
- Excellent resistance to abrasion
- Ergonomic handle



XCEE improves safety and increases productivity

ENVIRONMENTS

- Oil mills
- Tunnels
- Galvanic treatment
- Waste to energy plants
- Food industry
- Chemical industry
- Laboratories
- Cellars
- Quarries
- Purifiers
- Pharmaceutical
- Foundries
- Roadworks

RISKS

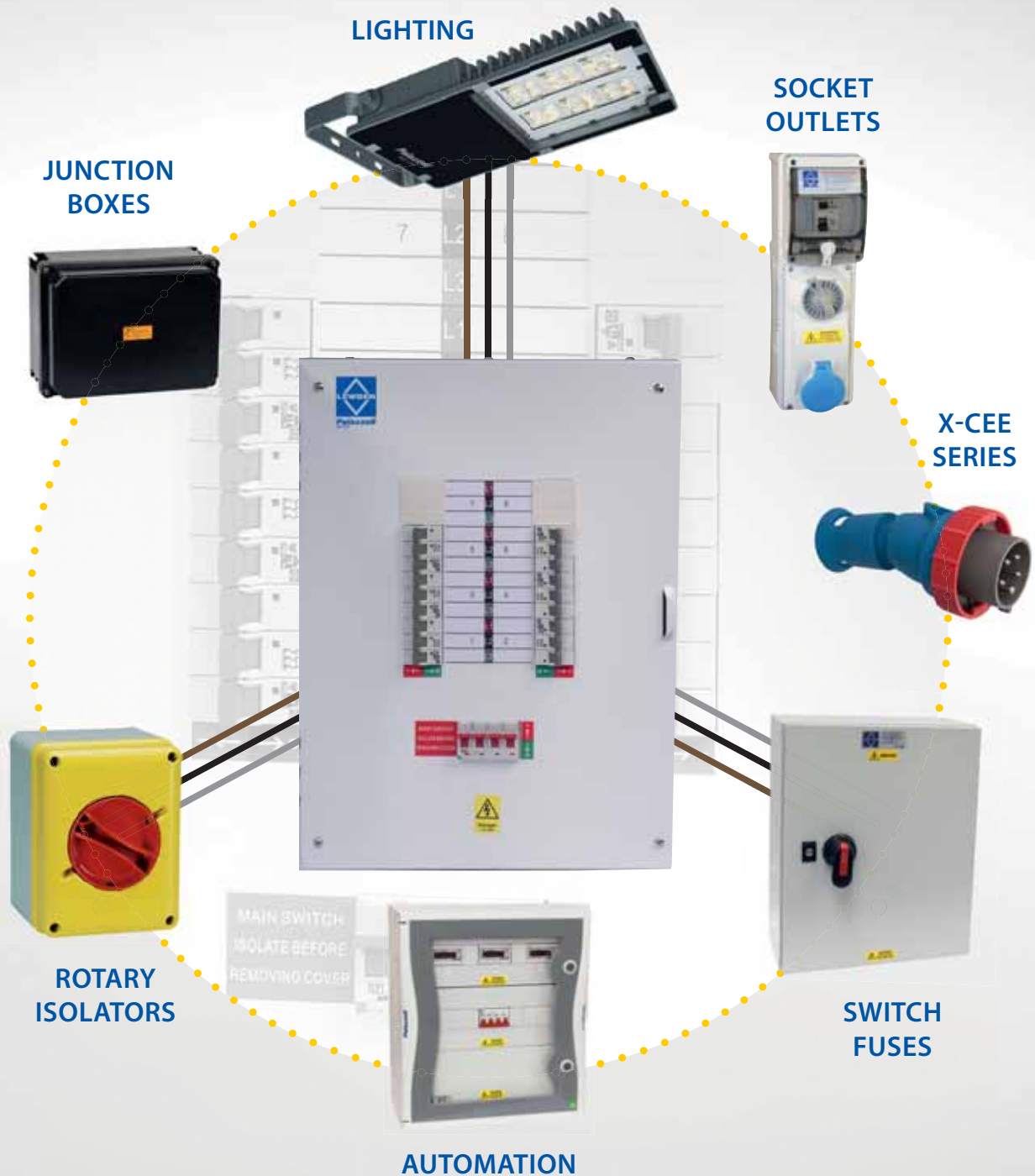
- Wet environment
- Presence of exhaust gases
- Exposure to mixed powders
- Frequent washing
- Corrosive acids
- Impacts and crushing
- Flammable substances
- High vibrations
- Presence of rodents
- High temperatures

SOLUTIONS

- Immersion resistance
- Impenetrable by gas vapours and mists
- Total insulation from dusts
- Resistance to strong water jets
- Material resistant to acids and bases
- Withstands impacts up to IK10
- Does not burn nor emits halogens
- Has anti-loosening screws
- Material reinforced with glass fibres
- Contact holder insert with GWT 960°C – V0



THE COMPLETE SOLUTION FOR YOUR INDUSTRIAL INSTALLATION



LEWDEN
Unit 4, Bradbury Drive,
Springwood Industrial Estate,
Braintree
Essex
CM7 2SD

Tel.: +44 (0) 1376 336 200
Fax: +44 (0) 1376 322 161

sales@lewden.co.uk
www.lewden.co.uk

